

# SOLIMAR

Since 1985

## Silo Fluidizer

### Keep Dry Bulk Materials Moving

Solimar Pneumatics offer a family of Silo Fluidizers that promote the discharge of dry products from storage silos, dust collectors, weigh bins and IBC's. Solimar Fluidizers enable a uniform flow of most dry bulk materials through aeration and hopper wall vibration that helps **prevent bridging, rat holing and compacting.**



Patented Fluidizer used with over 120 different material types in 70 countries around the world.

### The Original & Best Disk Fluidizer

**Aeration** loosens up the product allowing it to flow easier. Minimum back pressure puts air energy where it is need the most – in the silo.

**Directional Air Flow.** The Fluidizer disk forces air to move along the bin wall freeing up product and assuring good cleanout.

**Gentle Vibration** keeps the product flowing without allowing it to compact or plug.

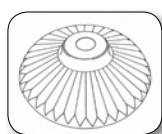
**No Airline Plugging.** Disk seals tightly against the silo wall and prevents airline plugging.

**Robust Design.** will not tear, pick up moisture & is unaffected by temperatures up to 450° F (230° C).

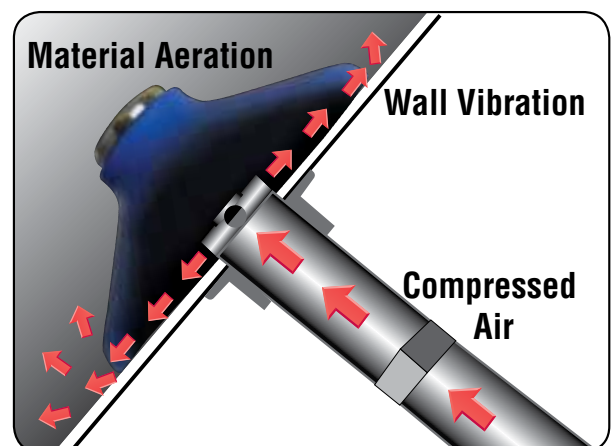
**Install From Outside.** Available **EZ-In (Easy-In)** kits for installation without getting inside the bin or replacing out dated screen pads.



**Material Compatible.** Multiple disk options, including silicone rubber food grade/FDA approved (blue or white), high temperature (orange), Metal Detectable (gray) & EPDM (black or white).



**Insist on genuine Solimar disks with the trademarked Radial Ridge Design.**



Hopper cutaway shows Fluidizer in use.

Marketed By:

**RAP ENGINEERS ASIA PACIFIC PTE LTD**

Office: No.10 Ubi Crescent, #03-37 Ubi Techpark (Lobby C) Singapore 408564

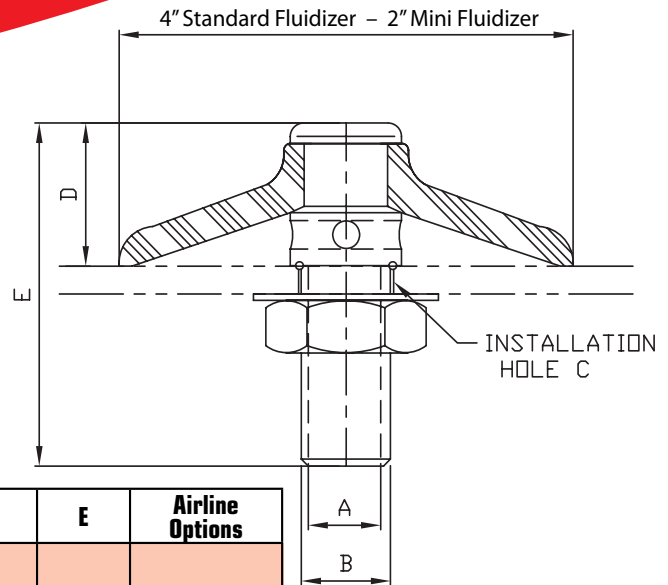
Phone: +65 6295 5282 E-mail: ragu@rapengineers.com www.rapengineers.com

## Silo Fluidizer Technical Data



Mini Fluidizer

Standard Fluidizer



Series	Part #	Stem Material	Disk Color	Disk Material	A	B	C	D	E	Airline Options
4300	4300	Steel	Blue	Silicone	1/4" NPT	1/2" NPT	7/8" (22 mm)	1-3/16" (30 mm)	3" (76 mm)	3/8"-1/2" (10-12 mm) Tubing
	4301		White							
	4302	Aluminum	Blue							
	4303		White							
	4304	Stainless Steel	Blue							
	4305		White							
4400	4400	Steel	Blue	Silicone	1/2" NPT	3/4" NPT	1-1/16" (27 mm)	1-1/4" (32 mm)	3 -1/16" (78 mm)	1/2"-3/4" (13-19 mm) Tubing or Hose
	4401		White							
	4402	Aluminum	Blue							
	4403		White							
	4404	Stainless Steel	Blue							
	4405		White							
4500	4500	Steel	Blue	Silicone	3/4" NPT	1" NPT	1-3/8" (35 mm)	1-1/4" (32 mm)	3-1/4" (83 mm)	3/4"-1" (19-25 mm) Hose
	4501		White							
	4502	Aluminum	Blue							
	4503		White							
	4504	Stainless Steel	Blue							
	4505		White							
MINI	4804	Stainless Steel	Blue	Silicone	1/8" NPT	NA	1/2" (13 mm)	9/16" (14 mm)	1-1/2" (38 mm)	1/4" (6 mm) Tubing
	4805	Steel	White							

Series	AIRFLOW REQUIREMENTS
4300	Capacity 10 – 20 CFM @ 20 – 30 PSI (15 – 30m <sup>3</sup> /h @ 1-2 bar)
4400	Capacity 25 – 40 CFM @ 10 – 20 PSI (40 – 70m <sup>3</sup> /h @ 0.7-1.5 bar)
4500	Capacity 30 – 50 CFM @ 5 – 10 PSI (50 – 85m <sup>3</sup> /h @ 0.3-0.7 bar)
MINI	Capacity 2 – 3 CFM @ 20 – 30 PSI (3.5 – 5m <sup>3</sup> /h @ 1-2 bar)

**Engineering Assistance.** Fax or e-mail a sketch or drawing of your chamber, along with a description of your bulk material and we will provide a recommended number and placement of Fluidizers for your application the next day.

Marketed By:

**RAP ENGINEERS ASIA PACIFIC PTE LTD**

Office: No.10 Ubi Crescent, #03-37 Ubi Techpark (Lobby C) Singapore 408564

Phone: +65 6295 5282 E-mail: ragu@rapengineers.com www.rapengineers.com